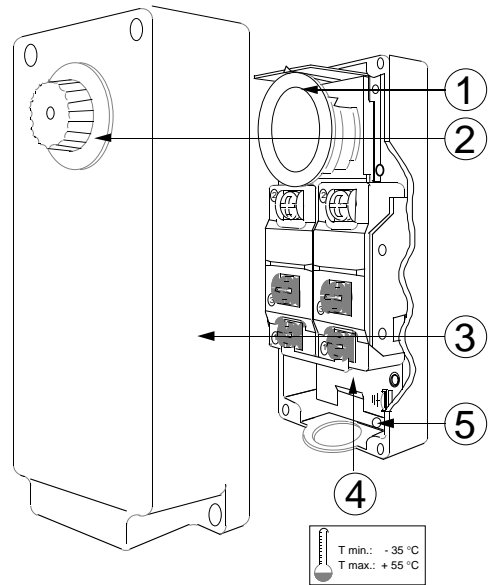


Instruction sheet

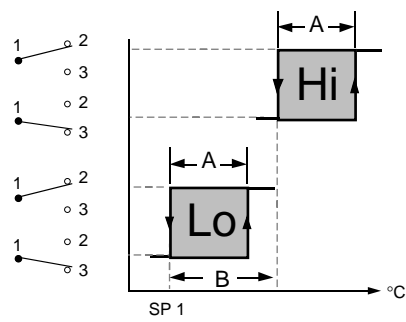
KRT2800

Specification Specificatie Especificação Beskrivelse Technická data	Description Especificación Specifikationer Spesifikasjoner	Spezifikation Specifiche Erittely Προδιαγραφές
---	---	---

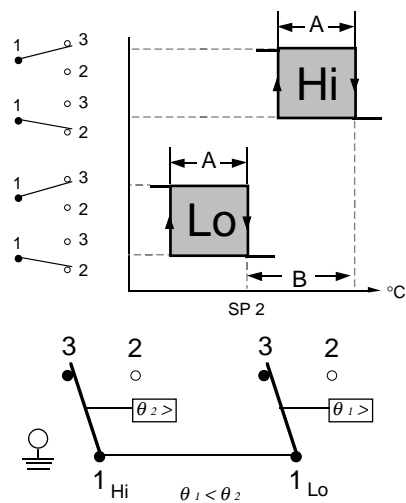


Adjustment Instelling Ajuste Justering Seřízení	Réglage Ajuste Justering Justering	Einstellung Regolazione Säätö Ρύθμιση
---	---	--

Set low (cooling model)



Set high (heating model)



ENGLISH

⚠ READ THIS INSTRUCTION SHEET CAREFULLY BEFORE INSTALLING, RETAIN IT SAFELY FOR FUTURE REFERENCE.

- 1 Setpoint dial
- 2 Knob for adjustment (knob models only)
- 3 Cover
- 4 Differential lever (adjustable differential models only)
- 5 Drainhole

Adjustment

- A Stage differential (fixed)
- B Between stage differential (fixed or adjustable)
- SP1 Set point "set low" models (refer to data label)
- SP2 Set point "set high" models (refer to data label)

The KRT2800 is a 2-stage temperature control designed to sense temperatures.

According to EN 60730 it is a type 1 action, independently mounted control, suitable for surface mounting on a plane surface and for use in normal pollution situation.

These controls are designed for use only as operating controls. Where an operating control failure would result in personal injury or loss of property, it is the responsibility of the installer to add devices or systems that protect against, or warn of, control failure.

Installation

DO NOT TURN SEALED SCREWS

⚠ Disconnect from power supply before the cover is removed.

Wiring

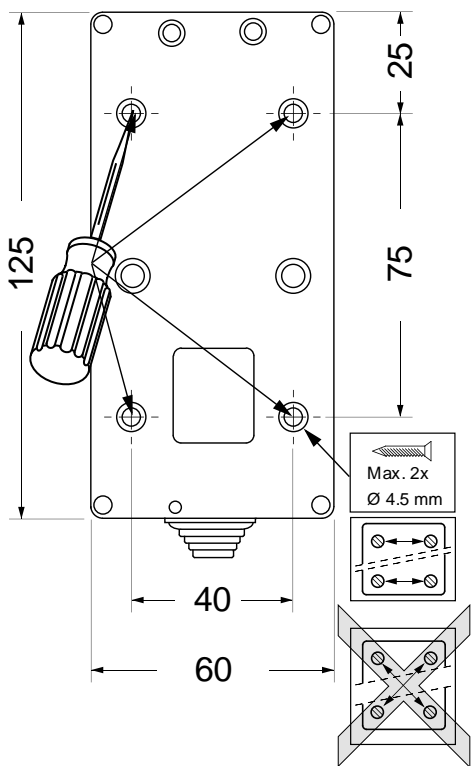
All wiring should conform to local codes and must be carried out by authorized personnel only. When using multi stranded wire apply a cable ferrule to the cable end.

Check out procedure

Before leaving the installation observe at least three complete operating cycles to be sure that all components are functioning correctly. If not contact your supplier.

Mounting Montage Montagem Montering Instalace	Montaje Montaje Montering Montering	Montaggio Kiinnitys Μοντάρισμα
---	--	--------------------------------------

**KRT2800**  
**(0 - +40)**  
**230V I<sub>max</sub>. 16A**  
**400V I<sub>max</sub>. 10A**  
**IP55**



Wiring Bedrading Cablagem Elektrisk installation Zapojeni	Raccordement Cableado Ledningar Kabling	Verdrahtung Cablaggio Jodotus Καλωδίωση
---	--	--

